

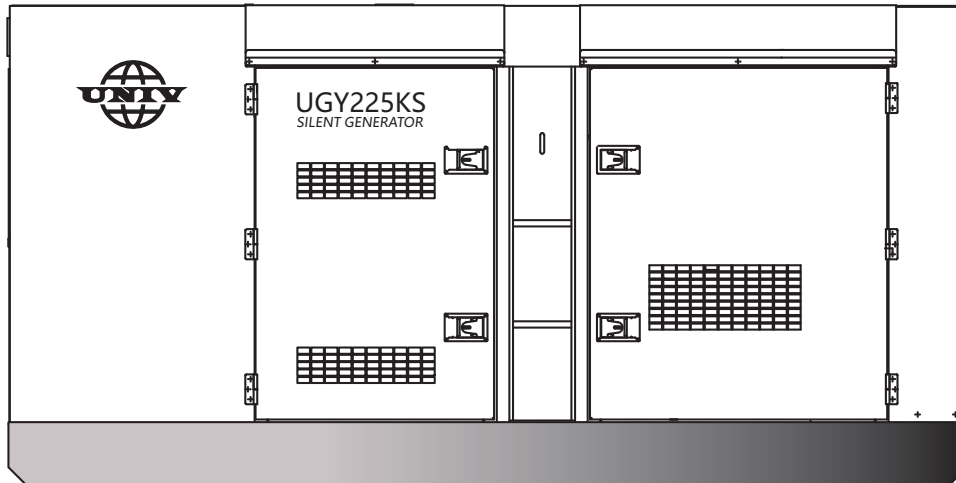


# UGY225KS

## UNIVPOWER SILENT SERIES

### POWER OUTPUT

Prime Rating — 160 kW (200 kVA)  
 Standby Rating — 180 kW (225 kVA)  
 3-Phase, 60 Hertz, 0.8 PF



### STANDARD FEATURES

- Heavy duty, 4-cycle, variable speed fan, diesel engine provides maximum reliability.
- Brushless alternator reduces service and maintenance requirements. Class H protection.
  - Open delta alternator design provides virtually unlimited excitation for maximum motor starting capability.
  - Automatic voltage regulator (AVR) provides precise regulation.
- Electronic governor system maintains frequency to  $\pm 0.25\%$ .
- Full load acceptance of standby nameplate rating in one step
- Soundproof, weather resistant, steel housing provides operation at 76dB (A) at 7meters. Fully lockable enclosure allows safety operation. Outdoor operation available.
- Internal fuel tank with direct observing glass, and fuel level meter display on control panel  
 E-coat and powder coat paint provides durability and weather protection.
- Digital engine gauges including oil pressure, water temperature, battery volts, engine speed, and fuel level.
- Analog generator instrumentation including Ampere meter,
- Voltage meter, frequency meter, ammeter phase selector switch, voltmeter phase selector switch. Analog generator instrumentation and regulator adjustment.
- Deepsea/Comap professional generator controller.
  - High visibility LCD display with heated screen and alphanumeric readout.
  - IP65 Protection standard, operational temperature range of -40° to 85° C.
  - Modbus interface for gauge panel and expansion options.
  - DPF cleaning cycle indication.
  - Log record for inspection
- Automatic safety shutdown system monitors the water temperature, engine oil pressure, low coolant, low DEF, overspeed, and overcrank. Warning lights indicate abnormal conditions.
- Fuel/water separator. Removes condensation from fuel for extended engine life.
- Emergency stop switch — when manually activated, shuts down in any emergency.

### UNIVPOWER SILENT SERIES

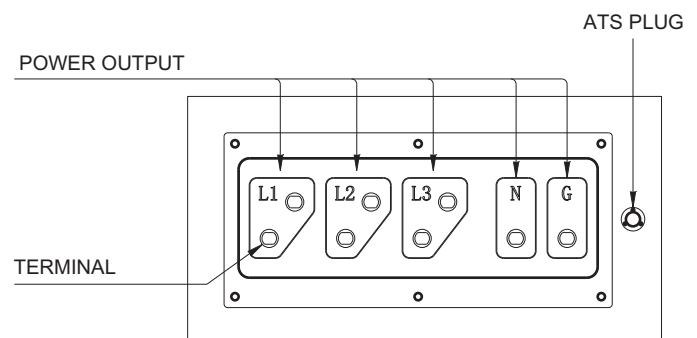
#### UNIV POWER DECIBEL LEVELS

Revolving field, self ventilated weatherproof Normal conversation allows substantially lower operating noise levels than competitive designs. UNIVGensets good for home, construction sites, residential, hospital, etc.

- 90 — Subway / truck traffic
- 80 — Average city traffic  
 → UNIVGenset at 7m
- 70 — Inside car at 60 mph
- 60 — Air conditioner at 6m
- 50 — Normal conversation

**76.0**  
DECIBELS

### GENERATOR OUTPUT PANEL





# UGY225KS

## UNIVPOWER SILENT SERIES

### SPECIFICATIONS

Generator Specifications	
Model	Revolving field, self-ventilated weatherproof
Armature Connection	Star with Neutral
Phase	3
Standby Output	180KW (225KVA)
Prime Output	160KW (200 KVA)
Power Factor	0.8
Voltage Regulation (No load to full load)	±0.5%
Generator RPM	1800
Frequency	60 Hz
No. of Poles	4
Excitation	Brushless with AVR
Frequency Regulation: No Load to Full Load	Isochronous under varying loads from no load to 100% rated load
Frequency Regulation: Steady State	±0.25% of mean value for constant loads from no load to full load.
Insulation	Class H
Sound Level dB(A) Full load at 7M	76

Amperage	
Rated Voltage	Maximum Amps
3Ø Volt 127/220	524.9 Amps
3Ø Volt 254/440	262.4 Amps
Main Line Circuit Breaker Rating	600 Amps
Over Current Relay Trip Set Point 220V Mode Only	700 Amps

Fuel System	
Maximum Fuel Flow (per hour)	23.7 gallons (90 liters)
Fuel Tank Capacity	76.6 gallons (290 liters)
Fuel Consumption	L / h
At full load	44
At 3/4 load	33
At 1/2 load	23
At 1/4 load	14

Control system	
Controller Brand	Deepsea
Model	DSE4520
Module	Manual/Auto start/stop module
Standard function	Engine control
	Generator monitoring
	Generator protection
	Specification
Display	Frequency
	Battery voltage
	Running hour
Warning/shutdown	under/over voltage
	under/over speed
	under/over frequency
	Low oil pressure
	High water temperature
Communication port	USB

Engine Specifications	
Make / Model	Cummins / 6CTA8.3-G2
Emissions	/
Starting System	Electric
Design	4-cycle, water cooled, direct injection, natural intake
Displacement	8.3 liters
No. cylinders	6
Bore x Stroke	114 x 135 mm
Gross Engine Power Output	250 hp (187 kW)
Compression Ratio	17.3 : 1
Engine Speed	1800 rpm
Overspeed Limit	2070 rpm
Oil Capacity	7.29 gallons (27.6 liters)
Coolant Capacity	10.57 gallons (40 liters)
Battery	24V 100Ah x 2

Alternator	
Alternator Brand	Stamford/Mecc alte/Kwise
Alternator Model	UCI274G/ECP34 2L4C/S274G140C7
Excitation	Brushless, Self-Excited system
Capacity(KVA)	218.5kva
Power(KW)	174.8kw
Efficiency(%)	90%
Insulation class	Class H
Protection class	Ip23
Steady state voltage regulation	±1%
Voltage control	AVR

### WARRANTY\*

#### Generator

12 months from date of purchase or 1000 hours (whichever occurs first).

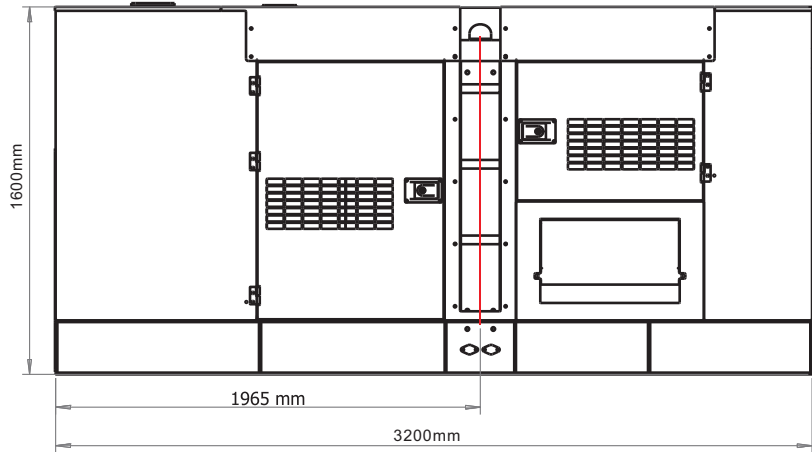
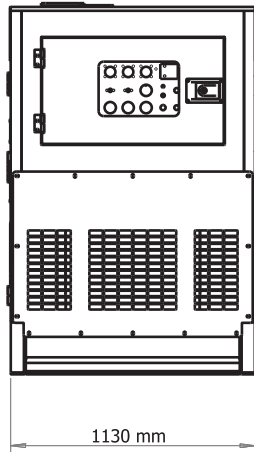
#### NOTICE

Enough Air flow is extremely important to Generator operation. Improper connection can cause electrocution and/or property damage. Do not connect to any electrical system except through an approved device. Specifications are subject to change without notice.

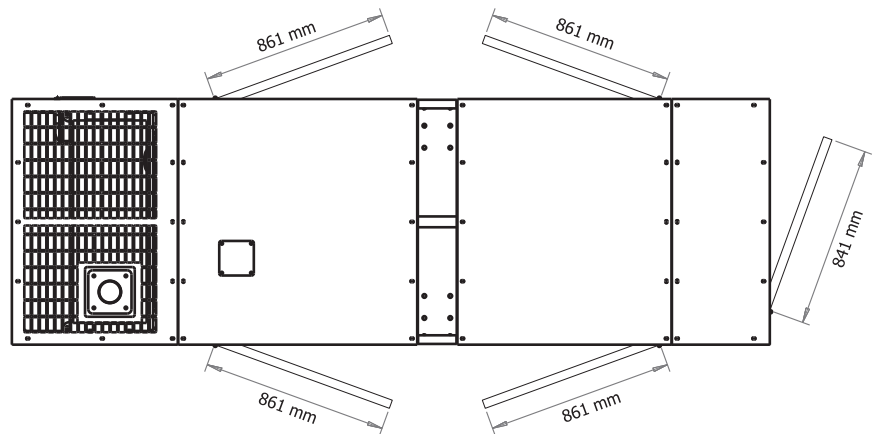


# UGY225KS

## UNIVPOWER SILENT SERIES



Weight	
Dry Weight	2,430 kg
Wet Weight	2,530 kg
Max. Lifting Point capacity	5,200 kg



Manufactured by  
**Zhejiang Universal Machinery Co.,Ltd**  
Add:No 18-9 Nanshan Road, Qujiang Zone,  
Quzhou city, Zhejiang Province, CN  
Tel:0086-570-3377022/3377023  
Fax:0086-570-3377086  
Website:www.univpower.com